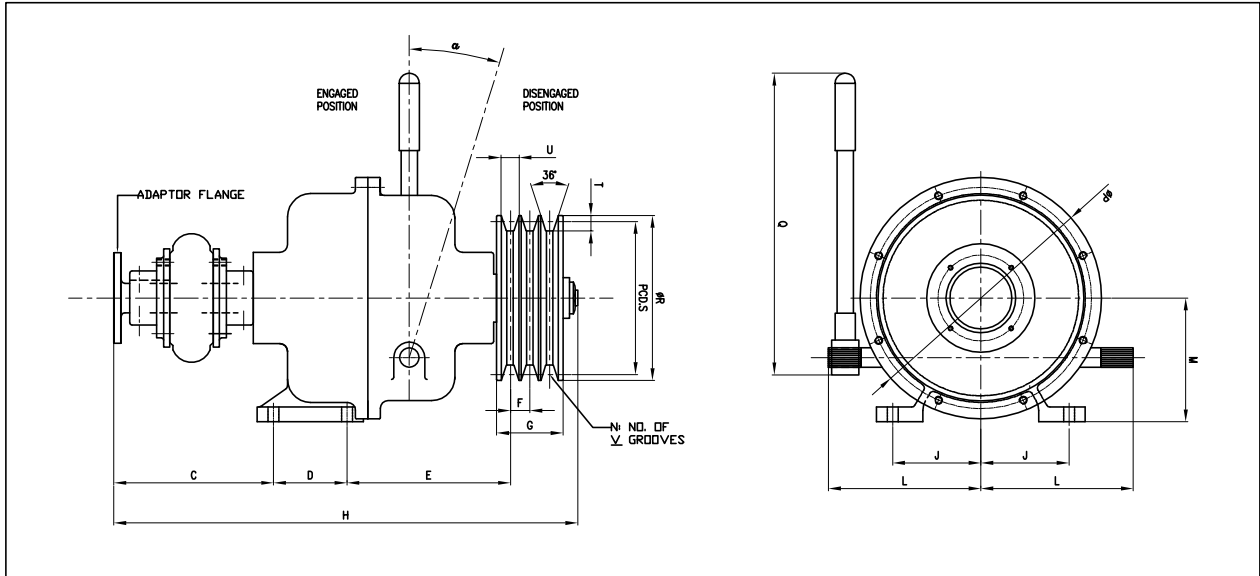


# MACHWELD ENGINEERS

## MARINE POWER TAKE-OFFS.

OEM SUPPLIERS TO GREAVES & ASHOK LAYLAND



Machweld Engineers Marine Power Take-Offs. are manufactured to cater marine sector. This application is widely used as front Power Take-Off to drive the winch on fishing boats.

Our every Power take-Off unit rolled out conforms quality standards which are at par with international specifications

- Self-supporting structure for easy installation.
- Protection against corrosion is ensured through enclosed casing.
- For positive transmission dry type clutch are incorporated for east installation.
- Easy replacement to existing P.T.O. installation
- P.T.O. assembly supplied input & output transmission equipments.

### TECHNICAL SPECIFICATION

#### INSTALLTION DIMENSIONS

| MODEL          | C     | D  | E     | F    | G    | H   | J     | L   | M   | N | Q   | S     | $\alpha$ |
|----------------|-------|----|-------|------|------|-----|-------|-----|-----|---|-----|-------|----------|
| MW/PTO-310-(S) | 178.5 | 95 | 166.7 | 25.5 | 85.5 | 530 | 114.3 | 200 | 159 | 3 | 400 | 203.5 | 15°      |

#### CAPACITY DETAILS

| MODEL          | ASSY. DRG. NO. | MAX HP | MAX TORQUE (KGM) | MAX SPEED (RPM) | MAX NET WEIGHT (KG) |
|----------------|----------------|--------|------------------|-----------------|---------------------|
| MW/PTO-310-(S) | 0000 0000 00   | 26     | 18.62            | 3200            | 000                 |